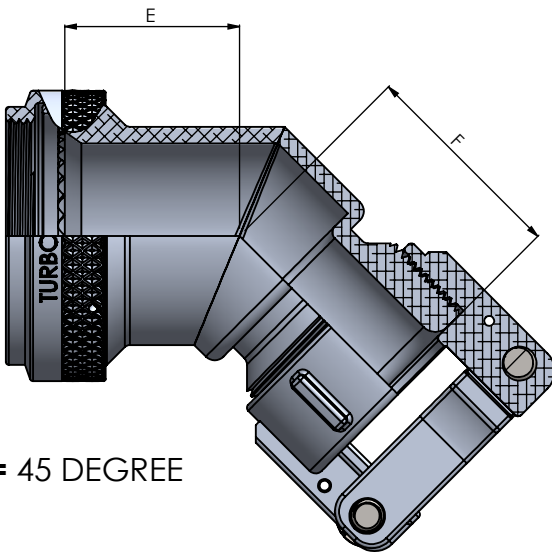
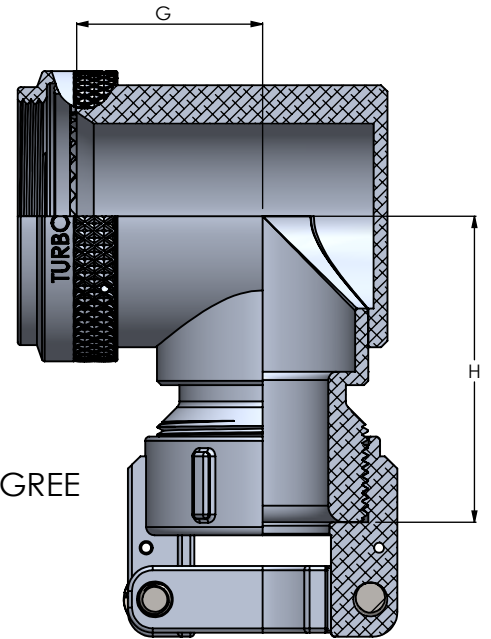


S = STRAIGHT



F = 45 DEGREE



N = 90 DEGREE

ORDERING INFORMATION

TB 110-02 A 3 N VO - 19 09 - A - 6

BRAND IDENTIFIER

PRODUCT SERIES CODE
(SEE PAGE - A)

CONNECTOR INTERFACE
(SEE PAGE - B)

COUPLING RING OPTION
(SEE PAGE - C)

ANGLE
S = STRAIGHT
F = 45°
N = 90°

MATERIAL & FINISH
(SEE PAGE - D)

LENGTH CODE
ONLY FOR STRAIGHT PARTS. OMIT FOR STANDARD LENGTH (L) - 1.50" (1/2" INCREMENT. FOR EXAMPLE 6 = 3 INCHES)

CABLE CLAMP TYPE
A - MS3057A

CABLE CLAMP SIZE
(SEE TABLE - II)

SHELL SIZE
(SEE TABLE - I)

**** CUSTOMIZATION POSSIBLE**



TURBO INDIA

#114, P.C Industrial Estate Kamakshipalya,
Magadi Rd. Bangalore 560 079, Karnataka, India

THIS DRAWING IS COPYRIGHT AND THE PROPERTY OF TURBO INDIA. IT MUST NOT BE COPIED, USED FOR MANUFACTURE OR OTHERWISE DISCLOSED WITHOUT PRIOR WRITTEN CONSENT OF THE COMPANY.

UNLESS OTHERWISE SPECIFIED:
ALL DIMENSIONS IN MILLIMETRES
GENERAL TOL:
LINEAR : +/-0.10MM
ANGULAR : +/-2°

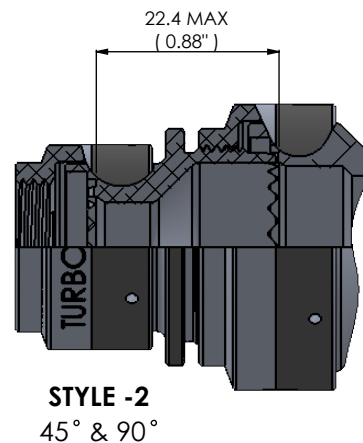
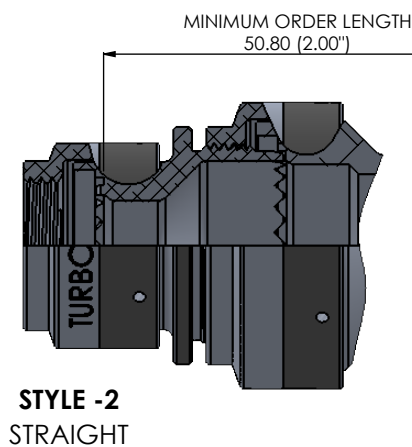
		DATE
DRAWN :	AD	30-01-2020
CHECKED :	AD	30-01-2020
APPROVED :	MR	30-01-2020
MATERIAL :	---	REVISION
WEIGHT :	---	0


DESCRIPTION :	
CABLE CLAMP ADAPTER - NON ENVIRONMENTAL , NON SCREENED	
PART NUMBER / SERIES:	PAGE:NO
SERIES 110-02	15

TABLE - I SHELL SIZE						
CONNECTOR DESIGNATOR		RING DIMENSION	ELBOW DIMENSIONS			
A & F	H	Ø C MAX	E MAX	F MAX	G MAX	H MAX
08	09	19.60	11.60	22.40	12.70	29.70
10	11	20.80	13.20	23.10	15.10	31.20
12	13	23.90	14.80	23.60	15.50	32.80
14	15	26.20	16.40	24.40	17.80	34.30
16	17	30.70	18.70	24.90	22.50	36.10
18	19	34.50	23.50	25.40	24.80	36.80
20	21	37.60	23.50	25.90	24.80	38.40
22	23	40.60	25.90	26.70	28.60	39.90
24	25	43.20	25.90	27.20	28.60	41.40
28		50.00	29.10	27.90	31.10	43.20
32		56.40	30.70	29.20	40.00	46.20
36		62.70	31.40	30.20	45.10	48.80

TABLE- II CABLE CLAMP SIZE				
DASH NO	Ø M MIN	Ø M MAX	K MAX	Z MAX
04	4.80	7.90	23.00	11.50
06	7.10	11.10	27.80	13.10
08	9.80	14.30	30.10	14.70
10	9.50	15.90	32.50	14.70
12	11.10	19.10	38.10	14.70
16	15.90	23.80	43.70	17.10
20	22.20	31.80	52.40	17.10
24	25.40	34.90	58.70	17.10

1. WHEN MAXIMUM CABLE ENTRY IS EXCEEDED , STYLE-2 WILL BE SUPPLIED . IN THAT CONDITION, DIMENSIONS E,F,G AND H WILL NOT APPLY.
2. FOR ANY KIND OF CUSTOMISATION ON THIS BACKSHELL, FOR TERMINATION BANDS AND OTHER ACCESSORIES REACHOUT TO US ON sales@turboindia.co.in



 TURBO INDIA #114, P.C Industrial Estate Kamakshipalya, Magadi Rd. Bangalore 560 079, Karnataka, India	DATE	30-01-2020
	DESCRIPTION :	CABLE CLAMP ADAPTER - NON ENVIRONMENTAL , NON SCREENED
	PART NUMBER / SERIES:	SERIES 110-02
	PAGE:NO	16

THIS DRAWING IS COPYRIGHT AND THE PROPERTY OF TURBO INDIA. IT MUST NOT BE COPIED, USED FOR MANUFACTURE OR OTHERWISE DISCLOSED WITHOUT PRIOR WRITTEN CONSENT OF THE COMPANY.	UNLESS OTHERWISE SPECIFIED : ALL DIMENSIONS IN MILLIMETRES GENERAL TOL: LINEAR : +/-0.10MM ANGULAR : +/- 2°	DRAWN :	AD	30-01-2020
		CHECKED :	AD	30-01-2020
		APPROVED :	MR	30-01-2020
		MATERIAL :	---	REVISION
		WEIGHT :	---	0

CONNECTOR INTERFACE	DESCRIPTION
H	MIL-DTL-38999 SERIES III & IV
F	MIL-DTL-38999 SERIES I & II
A	MIL-DTL-26482 SERIES II
A	AS 50151 CRIMP
A	MIL-DTL-83723 SERIES I & III

THIS DRAWING IS COPYRIGHT AND THE PROPERTY OF TURBO INDIA. IT MUST NOT BE COPIED, USED FOR MANUFACTURE OR OTHERWISE DISCLOSED WITHOUT PRIOR WRITTEN CONSENT OF THE COMPANY.



TURBO INDIA

#114, P.C Industrial Estate Kamakshipalya,
Magadi Rd. Bangalore 560 079, Karnataka, India

DESCRIPTION :

CONNECTOR INTERFACE

PART NUMBER / SERIES:

COMMON DATA

PAGE:NO

B

COUPLING RING OPTION	
CODE	DESCRIPTION
1	DIRECT COUPLING
3	FREE SPINNING
3X	FREE SPINNING WITH SAFETY WIRE HOLE
5	SELF-LOCK
7	NON-DETENT SELF-LOCK

Direct Coupling (1) : The coupling nut is eliminated in this design, and the backshell directly threads to the connector.

Free Spinning (3) : Free Spinning Adapters makes the assembly of the backshell to the connector easy without turning the entire backshell body. The coupling nut is free to rotate in this design.

Free Spinning with Safety Wire Holes (3X) : In this design, 3 equally spaced holes are provided on the coupling nut to prevent accidental decoupling in high vibration environment.

Self Lock - Detent (5) : The movement of coupling nut is locked by means of a anti-decoupling device in this design. The Self Lock adapters are the most popular among the many backshell adapter variants.

Self Lock - Non Detent (7) : In this design, the coupling nuts are locked in a pre-tensioned condition to achieve the Self Lock feature.



TURBO INDIA

#114, P.C Industrial Estate Kamakshipalya,
Magadi Rd. Bangalore 560 079, Karnataka, India

DESCRIPTION :

COUPLING RING OPTION

PART NUMBER / SERIES:

COMMON DATA

PAGE:NO

C

THIS DRAWING IS COPYRIGHT
AND THE PROPERTY OF TURBO
INDIA. IT MUST NOT BE COPIED,
USED FOR MANUFACTURE OR
OTHERWISE DISCLOSED
WITHOUT PRIOR WRITTEN
CONSENT OF THE COMPANY.

MATERIAL & FINISH	
CODE	DESCRIPTION
W	Cadmium - Olive drab over suitable underplate, -65 to +175 °C
N	Electroless nickel - In accordance with AMS-C-26074 or AMS2404, -65 to +200 °C
Z	Zinc nickel in accordance with ASTM B841 or AMS2417 over suitable underplate. Color shall be black, conductive, and non-reflective. Final finish shall be electrically conductive, -65 to +175 °C
VB	Zinc-Cobalt, Black ,ASTM B 840 Grade 6 Type D over electroless nickel , Conductive -65 to +175°C.
VO	Zinc-Cobalt, Olive Drab ,ASTM B 840 Grade 6 Type D over electroless nickel, Conductive -65 to +175°C.
A	Black anodize - In accordance with Class 2 of MIL-A-8625, Type II, -65 to +175 °C.
AH	Anodize, Hardcoat, Black AMS-A-8625 Type III, Class 2, .001" thick, Non-Conductive -65 to +200°C

*** The backshell adapters, dust covers and accessories will be supplied in Aluminium. For other material and finish requirements, please reach out to us at sales@turboindia.co.in.

THIS DRAWING IS COPYRIGHT AND THE PROPERTY OF TURBO INDIA. IT MUST NOT BE COPIED, USED FOR MANUFACTURE OR OTHERWISE DISCLOSED WITHOUT PRIOR WRITTEN CONSENT OF THE COMPANY.



TURBO INDIA

#114, P.C Industrial Estate Kamakshipalya,
Magadi Rd. Bangalore 560 079, Karnataka, India

DESCRIPTION :

MATERIAL & FINISH

PART NUMBER / SERIES:

COMMON DATA

PAGE:NO

D